

Power Steering Vane Pump

Catalog 2021

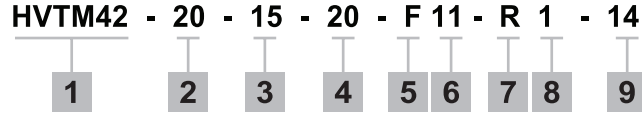
Power Steering Vane Pump HVTM42 Series

Specifications :

Model	Ring Size Delivery at 1200 r/min & 7 bar (100 psi) USgpm	Geometric Displacement cm ³ /r (in ³ /r)	Maximum Speed			Maximum Pressure bar (psi)	Weight kg (lb)
			at 7 bar (100 psi) rpm	at 100 bar (1500 psi) rpm	at 140 bar (2000 psi) rpm		
HVTM42	1	3.4 (0.21)	7000	5000	4250	140 (2000)	7.2 (15.8)
	1.5	5.0 (0.31)		4500	4000		
	2	6.2 (0.38)		4200	3800		
	4	12.9 (0.79)		2800	2800		
	5	15.7 (0.96)	6000	2500	2300		
	6	19.3 (1.18)	5000	2500	2000		

Power Steering Vane Pump HVTM42 Series

Ordering Code



1. Model : HVTM42

2. Delivery (USgpm at 1200rpm & 7 bar)

- 10 - 1.0 USgpm
- 15 - 1.5 USgpm
- 20 - 2.0 USgpm
- 40 - 4.0 USgpm
- 50 - 5.0 USgpm
- 60 - 6.0 USgpm

3. Controlled Flow (at 1200rpm & 7 bar)

USgpm (L/min)

- 15 - 1.5 (6.0)
- 20 - 2.0 (8.0)
- 25 - 2.5 (9.5)
- 30 - 3.0 (11.0)
- 35 - 3.5 (13.0)
- 40 - 4.0 (15.0)
- 45 - 4.5 (17.0)
- 50 - 5.0 (19.0)
- 55 - 5.5 (21.0)
- 60 - 6.0 (23.0)
- 65 - 6.5 (25.0)
- 70 - 7.0 (26.5)
- 75 - 7.5 (28.0)

4. Relief Valve Setting psi (bar)

- 05 - 500 (35)
- 07 - 750 (52)
- 10 - 1000 (70)
- 12 - 1250 (86)
- 15 - 1500 (100)
- 17 - 1750 (120)
- 20 - 2000 (140)

5. Filter for tank

- NF - Standard baffle without filter
- F - With filter

6. Tank or Manifold

- NO - Without Tank
- 11 - With 115 cu.in.(1884 cc.) Tank
- 07 - With 70 cu.in.(1147 cc.) Tank
- MA - Manifold without bypass tube
- MB - Manifold with bypass tube
- ME - Cast iron manifold with no bypass tube
- MF - Cast iron manifold with bypass tube

7. Shaft Rotation (Viewed from shaft end)

- R - Turn right
- L - Turn left

8. Shaft

- 1 - Threaded with woodruff Keyed Shaft

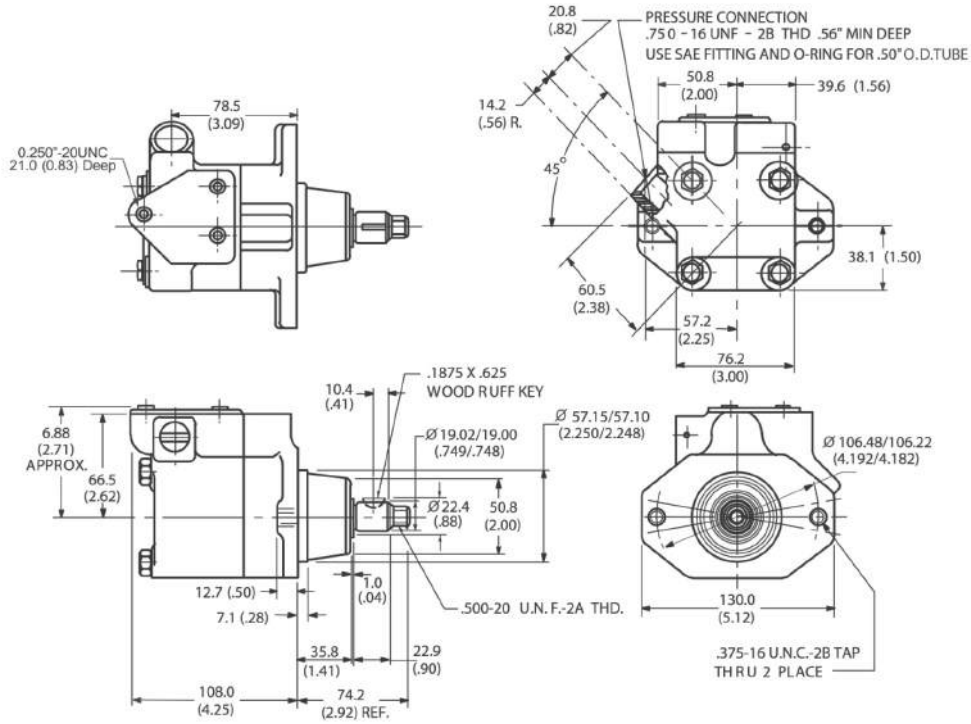
9. Design

Subject to change installation dimensions remain the same for design -10 through -19

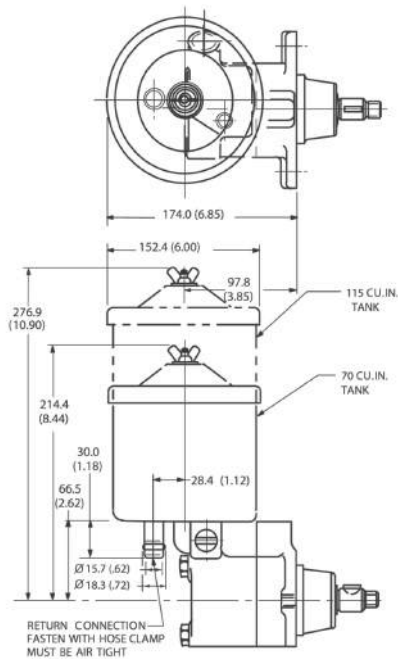
Power Steering Vane Pump HVTM42 Series

Installation Dimension mm (inch)

HVTM42 without reservoir or manifold

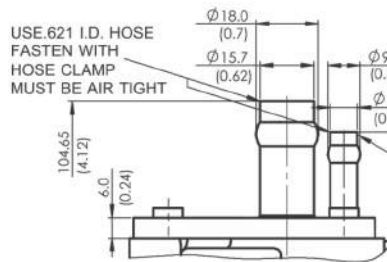
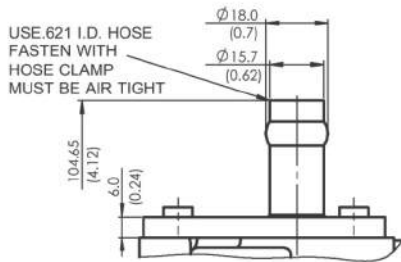


HVTM42 Tank Dimensions

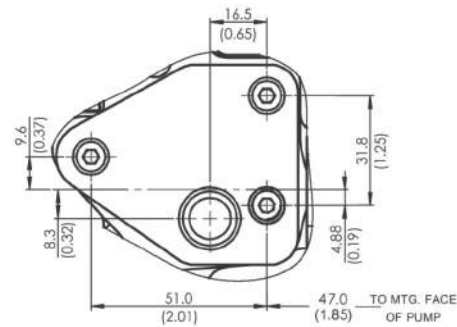


Power Steering Vane Pump HVTM42 Series

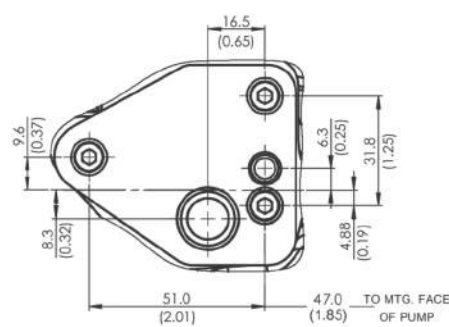
Manifold options for HVTM42



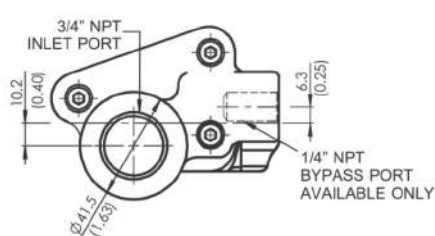
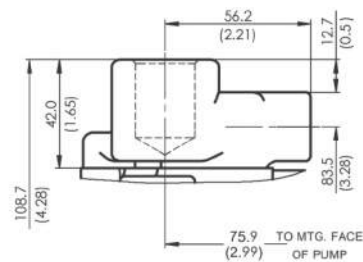
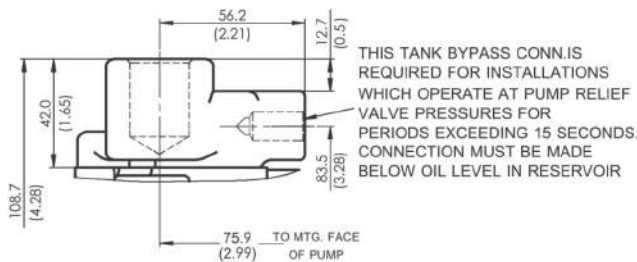
THIS TANK BYPASS CONN. IS
REQUIRED FOR INSTALLATIONS
WHICH OPERATE AT PUMP RELIEF
VALVE PRESSURES FOR
PERIODS EXCEEDING 15 SECONDS.
CONNECTION MUST BE MADE
BELOW OIL LEVEL IN RESERVOIR



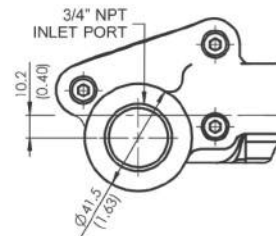
MA Manifold



MB Manifold



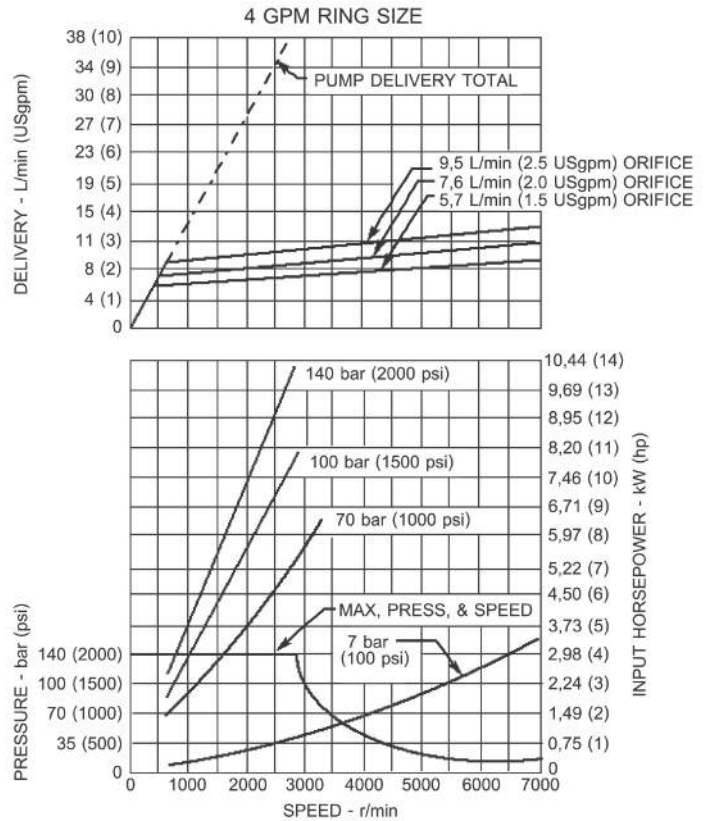
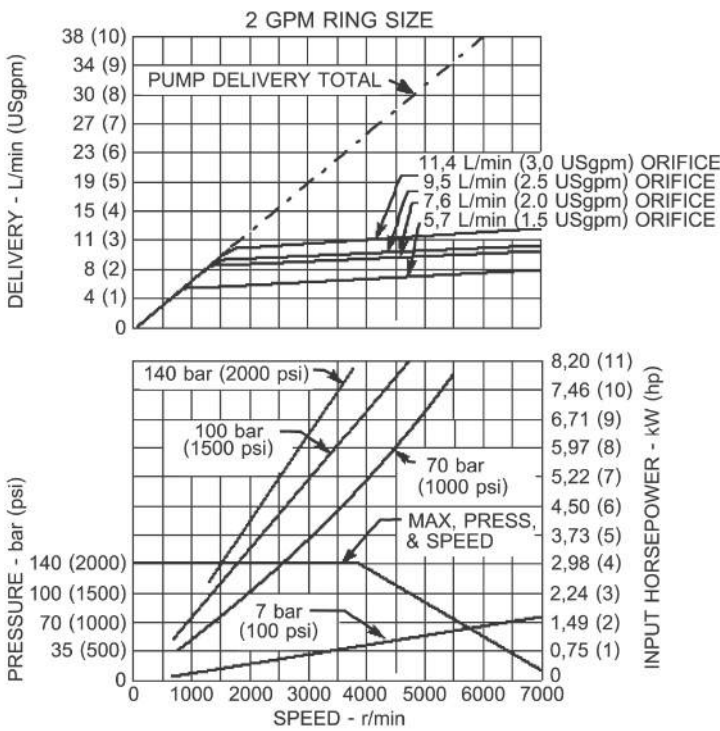
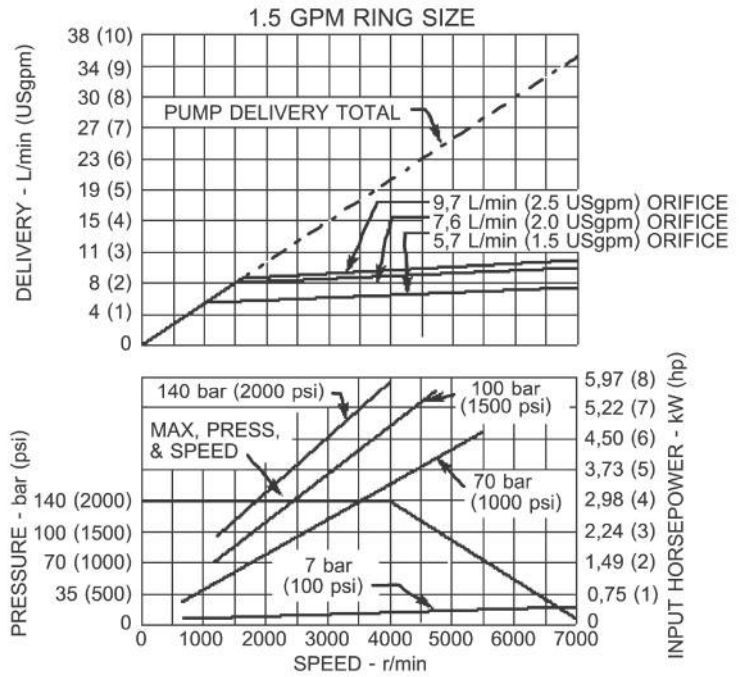
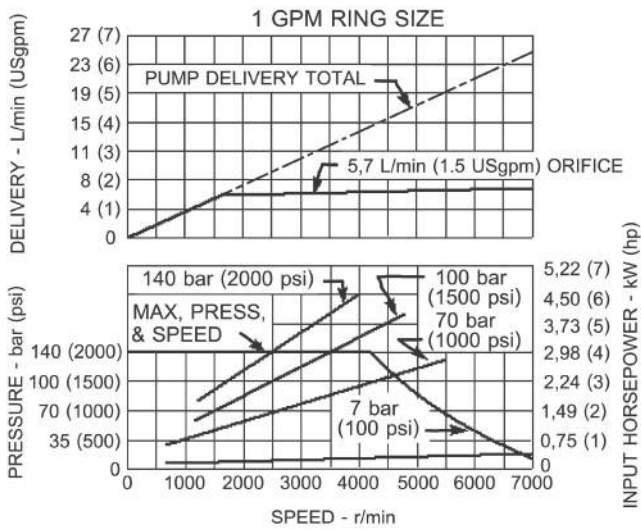
MF Manifold



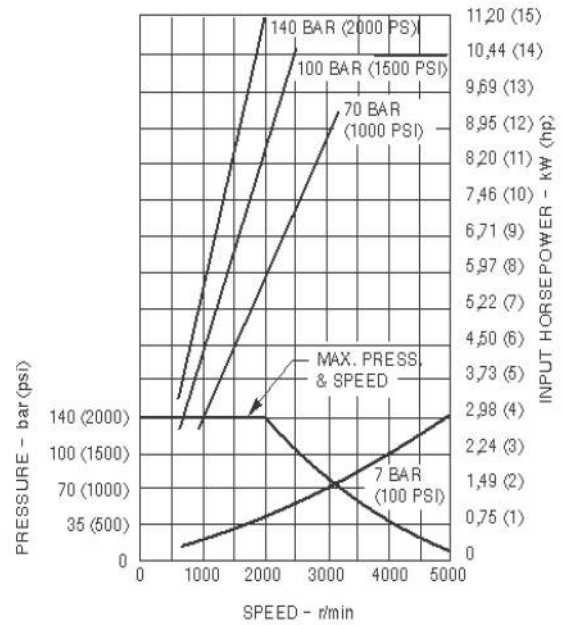
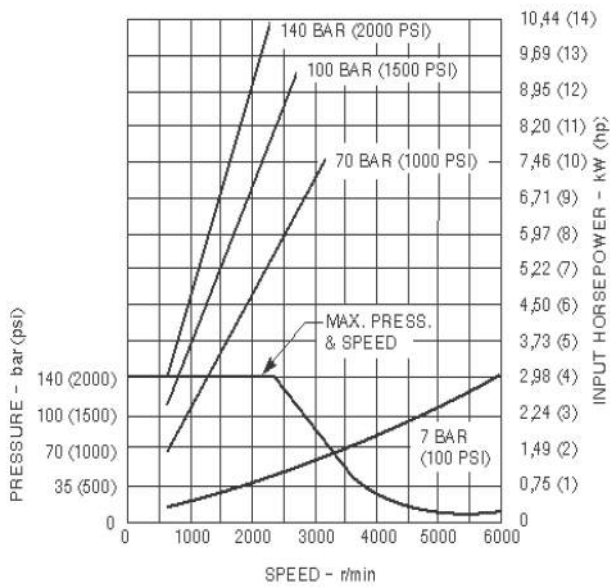
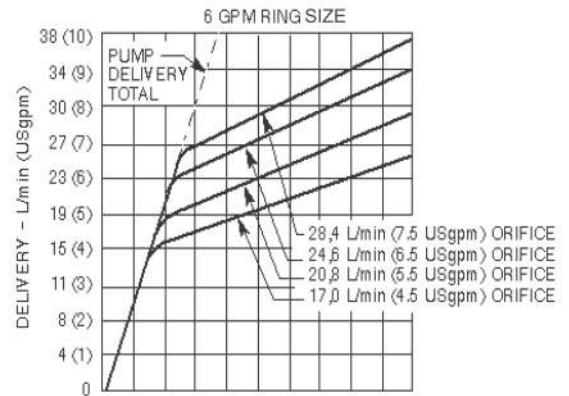
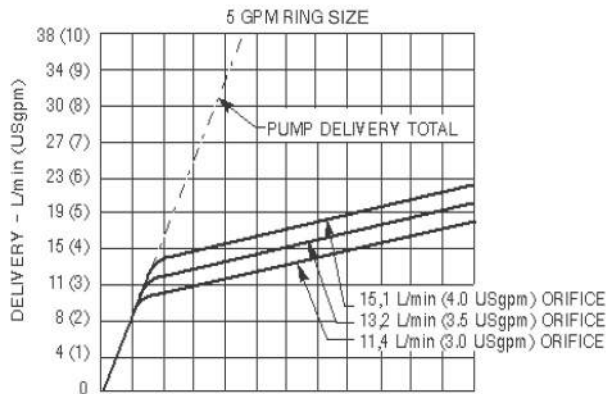
ME Manifold

Power Steering Vane Pump HVTM42 Series

Performance Characteristics



Power Steering Vane Pump HVTM42 Series



HOF Hydraulic represented by

Flowlution Co.,Ltd.

26/48 Moo4 Suksavadh Road, Jomthong, 10150 Bangkok, Thailand
Tel: +662 877 3223 Fax: +662 877 3373 info@flowlution.com

HOF Corindus Co.,Ltd. (Thailand only)

891 Rama3 Road, Bangpongpan, Yannawa, 10120 Bangkok
Tel: 02 284 1100 Fax: 02 683 4414 info@hofcorindus.co.th
www.hofcorindus.co.th