

Hydraulic Thru Drive Pump HT6*R Series

Catalog 2021

Thru-Drive Single Vane Pump

HT6CR/HT6CRM Series

Specification

HT6CR for Single pump

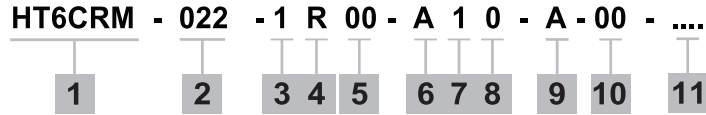
Size	Displacement cm ³ /r 1(in ³ /r)	Max. Intermittent Pressure bar (psi)	Max. Continuous Pressure bar (psi)	Min. Speed rpm	Max. Speed rpm	Weight
003	10.8 (0.66)	275 (4000)	240 (3500)	600	2800	20.4 (44.9)
005	17.2 (1.05)					
006	21.3 (1.30)					
008	26.4 (1.61)					
010	34.1 (2.08)					
012	37.1 (2.26)					
014	46.0 (2.81)					
017	58.3 (3.56)					
020	63.8 (3.89)					
022	70.3 (4.29)					
025	79.3 (4.84)	206 (3000)	160 (2300)		2500	
028	88.8 (5.42)					
031	100.0 (6.10)					

HT6CRM for Single pump

Size	Displacement cm ³ /r 1(in ³ /r)	Max. Intermittent Pressure bar (psi)	Max. Continuous Pressure bar (psi)	Min. Speed rpm	Max. Speed rpm	Weight
003	10.8 (0.66)	275 (4000)	240 (3500)	400	2800	20.4 (44.9)
005	17.2 (1.05)					
006	21.3 (1.30)					
008	26.4 (1.61)					
010	34.1 (2.08)					
012	37.1 (2.26)					
014	46.0 (2.81)					
017	58.3 (3.56)					
020	63.8 (3.89)					
022	70.3 (4.29)					
025	79.3 (4.84)	206 (3000)	160 (2300)		2500	
028	88.8 (5.42)					
031	100.0 (6.10)					

Thru-Drive Single Vane Pump HT6CR/HT6CRM Series

Ordering Code : Single Pump



1. Model :

- Industrial - HT6CR
- Mobile 1 Shaft seals (M) - HT6CRM SAE B 2 bolts mounting flange J744

6. Adaptor

- 0 - None
- A - SAE A
- B - SAE B
- C - SAE C

2. Displacement

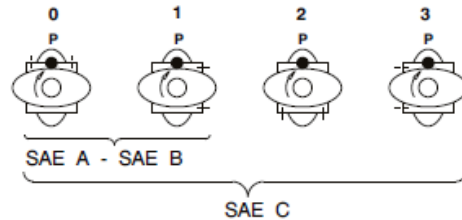
Volumetric displacement cm³/rec (in³/rev)

- 003 - 10.8 (0.66)
- 005 - 17.2 (1.05)
- 006 - 21.3 (1.30)
- 008 - 26.4 (1.61)
- 010 - 34.1 (2.08)
- 012 - 37.1 (2.26)
- 014 - 46.0 (2.81)
- 017 - 58.3 (3.56)
- 020 - 63.8 (3.89)
- 022 - 70.3 (4.29)
- 025 - 79.3 (4.84)
- 028 - 88.8 (5.42)
- 031 - 100.0 (6.10)

7. Coupling

- 1 - SAE A
- 2 - SAE B
- 3 - SAE BB
- 4 - SAE C
- 5 - SAE J498b 16/32 - 11 teeth

8. Porting Adapter



3. Type of shaft

- 1 - SAE BB Keyed Shaft
- 2 - non SAE Keyed Shaft
- 3 - SAE B Splined Shaft
- 4 - SAE BB Splined Shaft
- 5 - non SAE Keyed Shaft

9. Design letter

10. Port Connection (4 bolts SAE flange J518C)

- 00 - UNC Port Connection
- M0 - Metric Port Connection

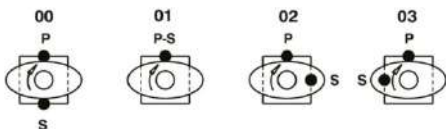
4. Direction of rotation (Viewed from shaft end)

- R - Turn right
- L - Turn left

11. Modifications

5. Porting combination

- 00 - standard

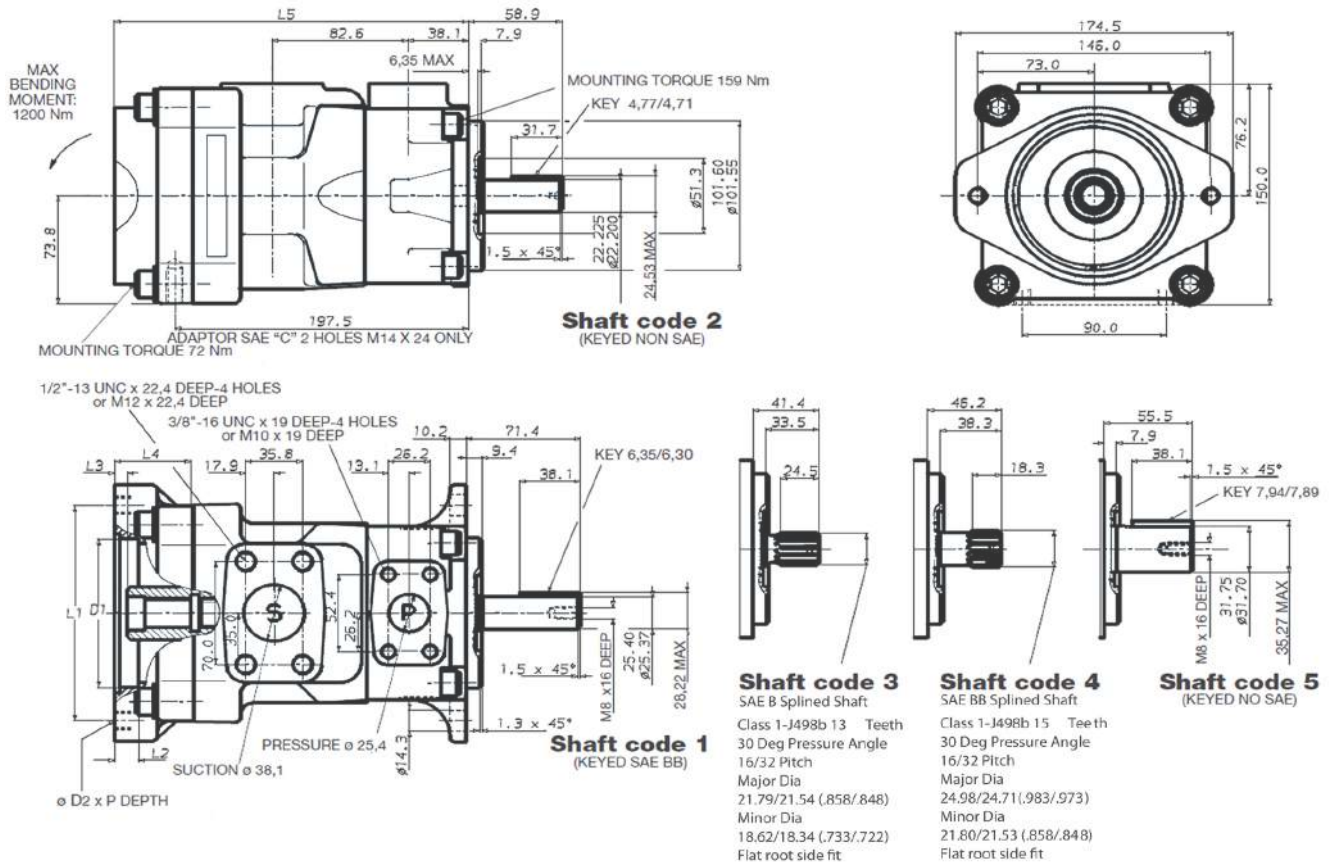


S - Suction port P - Pressure port

Thru-Drive Single Vane Pump HT6CR/HT6CRM Series

Installation Dimension mm (inch)

HT6CR, HT6CRM



Adapter	D1	D2	P	L1	L2	L3	L4	L5
SAE A	82,65/82,60	M10	24	106.4	11.0	8.0	32.0	209.0
SAE B	101,70/101,65	M12	28	146.0	16.0	8.0	46.0	223.0
SAE C	127,10/127,05	M16	-	181.0	16.0	8.0	56.0	233.0

Adapter	SAE A		SAE B		SAE C
Coupling drive	SAE A	SAE 11 teeth	SAE B	SAE BB	SAE C
Number of teeth	9	11	13	15	14
Pitch	16/32	16/32	16/32	16/32	12/24
Pressure angle	30°	30°	30°	30°	30°
Major dia. (min)	15,875	19,05	22,225	25,400	31,750
Minor dia. (min)	12,700	16,017	19,134	22,268	27,589

Thru-Drive Single Vane Pump HT6CR/HT6CRM Series

Performance Characteristics

HT6CR, HT6CRM

OPERATING CHARACTERISTICS - TYPICAL [115 SUS]

Series	Volumetric Displacement	Speed n [R.P.M]	Flow Q [GPM]			Input power P [HP]		
			p = 0 PSI	p = 2000 PSI	p = 3500 PSI	p = 100 PSI	p = 2000 PSI	p = 3500 PSI
003	0.66 in ³ /rev	1200	3.42	-	-	1.43	-	-
		1800	5.14	3.61	-	2.11	8.45	-
005	1.05 in ³ /rev	1200	5.45	3.99	-	1.55	8.17	-
		1800	8.18	6.65	5.56	2.29	12.00	19.59
006	1.30 in ³ /rev	1200	6.75	5.22	4.13	1.62	9.69	16.13
		1800	10.13	8.60	7.51	2.40	14.28	23.57
008	1.61 in ³ /rev	1200	8.37	6.84	5.75	1.72	11.58	19.43
		1800	12.55	11.02	9.93	2.54	17.11	28.53
010	2.08 in ³ /rev	1200	10.81	9.28	8.19	1.86	14.43	24.42
		1800	16.22	14.69	13.60	2.76	21.38	36.00
012	2.26 in ³ /rev	1200	11.76	10.23	9.14	1.92	15.53	26.36
		1800	17.64	16.11	15.02	2.84	23.05	38.92
014	2.81 in ³ /rev	1200	14.58	13.05	11.96	2.08	18.83	32.12
		1800	21.88	20.35	19.26	3.09	27.99	47.56
017	3.56 in ³ /rev	1200	18.48	16.95	15.86	2.31	23.38	40.08
		1800	27.73	26.20	25.11	3.43	34.81	59.51
020	3.89 in ³ /rev	1200	20.23	18.70	17.61	2.41	25.41	43.64
		1800	30.34	28.81	27.42	3.58	37.86	64.85
022	4.29 in ³ /rev	1200	22.29	20.76	19.67	2.53	27.82	47.85
		1800	33.43	31.90	30.81	3.76	41.47	71.16
025 ¹⁾	4.84 in ³ /rev	1200	25.14	23.61	22.52	2.70	31.15	53.68
		1800	37.71	36.18	35.09	4.01	46.46	79.90
028 ¹⁾	5.42 in ³ /rev	1200	28.15	26.62	25.86 ²⁾	2.87	34.66	51.37 ²⁾
		1800	42.23	40.70	39.94 ²⁾	4.27	51.74	76.73 ²⁾
031 ¹⁾	6.10 in ³ /rev	1200	31.70	30.17	29.41 ²⁾	3.08	38.80	57.58 ²⁾
		1800	47.56	46.03	45.27 ²⁾	4.58	57.95	86.06 ²⁾

1) 025 - 028 - 031 = 2500 R.P.M. max. 2) 028 - 031 = 3000 PSI max. int.
 - Not to use because internal leakage greater than 50% theoretical flow.
 - Port connection can be furnished with metric threads.

Thru-Drive Single Vane Pump

HT6DR/HT6DRM Series

Specification

HT6DR for Single pump

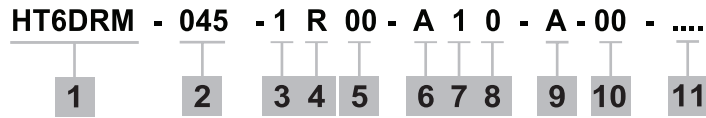
Size	Displacement cm ³ /r 1(in ³ /r)	Max. Intermittent Pressure bar (psi)	Max. Continuous Pressure bar (psi)	Min. Speed rpm	Max. Speed rpm	Weight
014	47.6 (2.90)	240 (3500)	206 (3000)	600	2500	32.3 (71.2)
017	58.2 (3.55)					
020	66.0 (4.03)					
024	79.5 (4.85)					
028	89.7 (5.47)					
031	98.3 (6.00)					
035	111.0 (6.77)					
038	120.3 (7.34)					
042	136.0 (8.30)				2200	
045	145.7 (8.89)					
050	158.0 (9.64)	206 (3000)	160 (2300)			

HT6DRM for Single pump

Size	Displacement cm ³ /r 1(in ³ /r)	Max. Intermittent Pressure bar (psi)	Max. Continuous Pressure bar (psi)	Min. Speed rpm	Max. Speed rpm	Weight
014	47.6 (2.90)	240 (3500)	206 (3000)	400	2500	32.3 (71.2)
017	58.2 (3.55)					
020	66.0 (4.03)					
024	79.5 (4.85)					
028	89.7 (5.47)					
031	98.3 (6.00)					
035	111.0 (6.77)					
038	120.3 (7.34)					
042	136.0 (8.30)				2200	
045	145.7 (8.89)					
050	158.0 (9.64)	206 (3000)	160 (2300)			

Thru-Drive Single Vane Pump HT6DR/HT6DRM Series

Ordering Code : Single Pump



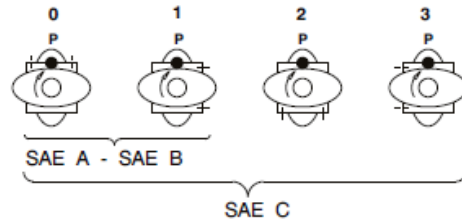
1. Model :
- Industrial - HT6DR
 - Mobile 1 Shaft seals (M) - HT6DRM SAE C 2 bolts mounting flange J744

6. Adaptor
- 0 - None
 - A - SAE A
 - B - SAE B
 - C - SAE C

2. Displacement
- Volumetric displacement cm³/rec (in³/rev)
- 014 - 47.6 (2.90)
 - 017 - 58.2 (3.55)
 - 020 - 66.0 (4.03)
 - 024 - 79.5 (4.85)
 - 028 - 89.7 (5.47)
 - 031 - 98.3 (6.00)
 - 035 - 111.0 (6.77)
 - 038 - 120.3 (7.34)
 - 042 - 136.0 (8.30)
 - 045 - 145.7 (8.89)
 - 050 - 158.0 (9.64)

7. Coupling
- 1 - SAE A
 - 2 - SAE B
 - 3 - SAE BB
 - 4 - SAE C
 - 5 - SAE J498b 16/32 - 11 teeth

8. Porting Adapter



3. Type of shaft
- 1 - SAE C Keyed Shaft
 - 2 - SAE CC Keyed Shaft
 - 3 - SAE C Splined Shaft
 - 5 - non SAE Keyed Shaft

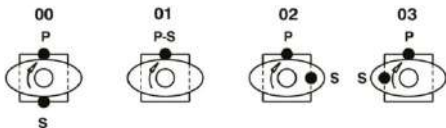
9. Design letter

4. Direction of rotation (Viewed from shaft end)
- R - Turn right
 - L - Turn left

10. Port Connection (4 bolts SAE flange J518C)
- 00 - UNC Port Connection
 - M0 - Metric Port Connection

5. Porting combination
- 00 - standard

11. Modifications

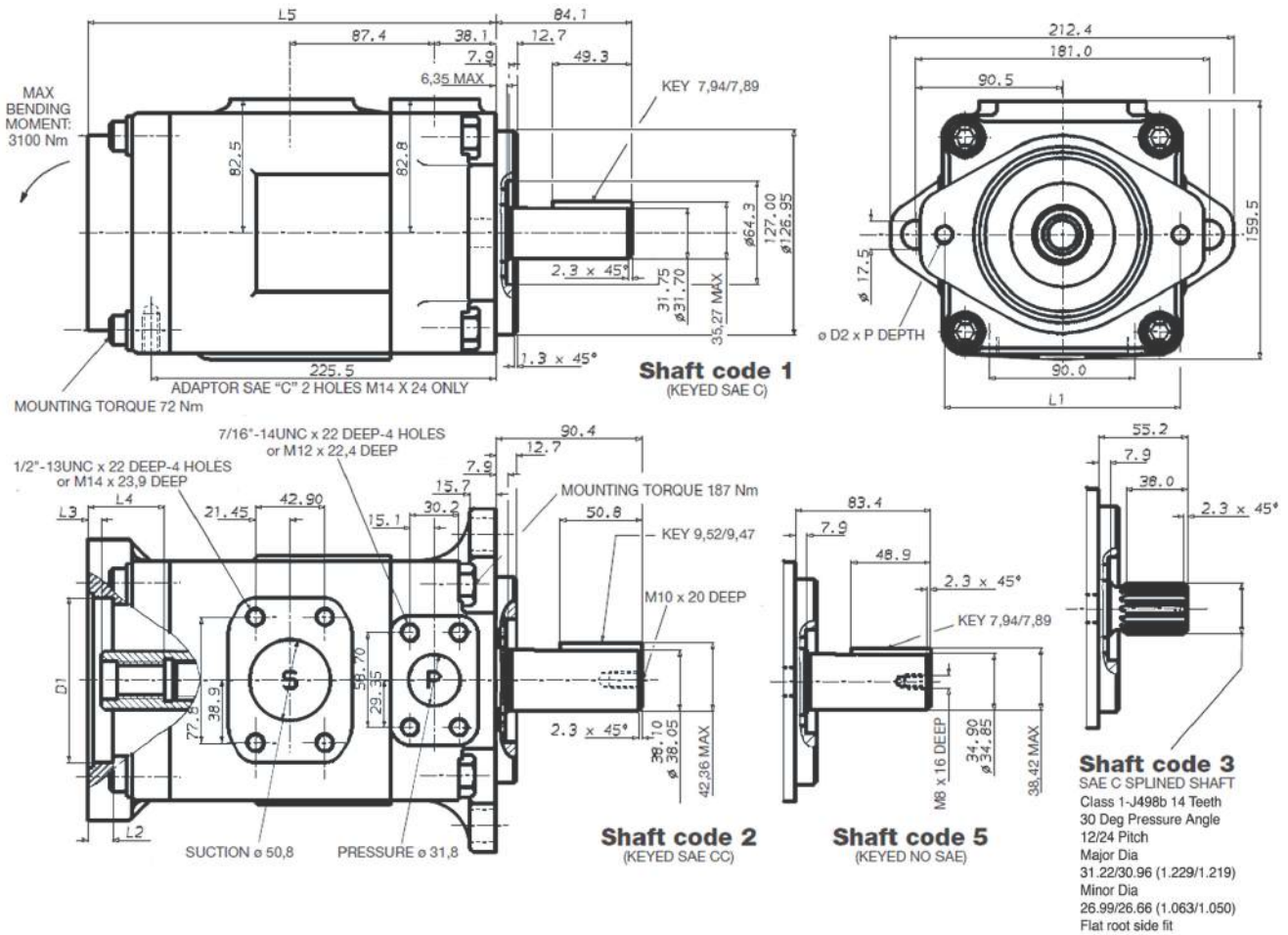


S - Suction port P - Pressure port

Thru-Drive Single Vane Pump HT6DR/HT6DRM Series

Installation Dimension mm (inch)

HT6DR, HT6DRM



Adapter	D1	D2	P	L1	L2	L3	L4	L5
SAE A	82,65/82,60	M10	24	106.4	11.0	8.0	32.0	237.0
SAE B	101,70/101,65	M12	28	146.0	16.0	8.0	46.0	251.0
SAE C	127,10/127,05	M16	-	181.0	16.0	8.0	56.0	251.0

Adapter	SAE A		SAE B		SAE C
Coupling drive	SAE A	SAE 11 teeth	SAE B	SAE B	SAE C
Number of teeth	9	11	13	13	15
Pitch	16/32	16/32	16/32	16/32	12/24
Pressure angle	30°	30°	30°	30°	30°
Major dia. (min)	15,875	19,05	22,225	22,225	25,400
Minor dia. (min)	12,700	16,017	19,134	19,134	22,268

Thru-Drive Single Vane Pump HT6DR/HT6DRM Series

Performance Characteristics

HT6DR, HT6DRM

OPERATING CHARACTERISTICS - TYPICAL [115 SUS]

Series	Volumetric Displacement	Speed n [R.P.M]	Flow Q [GPM]			Input power P [HP]		
			p = 0 PSI	p = 2000 PSI	p = 3500 PSI	p = 100 PSI	p = 2000 PSI	p = 3500 PSI
014	2.90 in ³ /rev	1200	15.09	12.91	11.27	2.44	19.60	33.20
		1800	22.64	20.46	18.82	4.02	29.31	49.34
017	3.55 in ³ /rev	1200	18.45	16.27	14.63	2.64	23.52	40.06
		1800	27.68	25.50	23.86	4.31	35.20	59.64
020	4.00 in ³ /rev	1200	20.92	18.74	17.10	2.78	26.41	45.11
		1800	31.39	29.21	25.57	4.53	39.52	67.21
024	4.80 in ³ /rev	1200	25.20	23.02	21.38	3.03	31.40	53.85
		1800	37.81	35.63	33.99	4.91	47.02	80.32
028	5.50 in ³ /rev	1200	28.44	26.26	24.62	3.22	35.17	60.45
		1800	42.66	40.48	38.84	5.19	52.68	90.23
031	6.00 in ³ /rev	1200	31.17	28.99	27.35	3.38	38.36	66.02
		1800	46.75	44.57	42.93	5.43	57.45	98.58
035	6.80 in ³ /rev	1200	35.19	33.01	31.37	3.61	43.05	74.24
		1800	52.79	50.61	48.97	5.78	64.50	110.91
038	7.30 in ³ /rev	1200	38.14	35.96	34.32	3.79	46.49	80.26
		1800	57.21	55.03	53.39	6.04	69.66	119.94
042 ¹⁾	8.30 in ³ /rev	1200	43.12	40.94	39.30	4.08	52.30	90.43
		1800	64.68	62.50	60.86	6.47	78.37	135.19
045 ¹⁾	8.90 in ³ /rev	1200	46.19	44.01	42.37	4.26	55.89	96.71
		1800	69.29	67.11	65.47	6.74	83.75	144.61
050 ¹⁾	9.64 in ³ /rev	1200	50.09	47.91	46.73 ²⁾	4.48	60.44	89.93 ²⁾
		1800	75.14	72.96	71.78 ²⁾	7.08	90.58	134.54 ²⁾

1) 042 - 045 - 050 = 2200 R.P.M. max. 2) 050 = 3000 PSI max. int.
- Port connection can be furnished with metric threads.

Thru-Drive Single Vane Pump

HT6ER/HT6ERM Series

Specification

HT6ER for Single pump

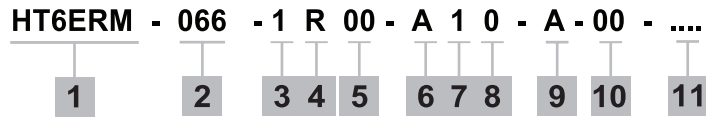
Size	Displacement cm ³ /r 1(in ³ /r)	Max. Intermittent Pressure bar (psi)	Max. Continuous Pressure bar (psi)	Min. Speed rpm	Max. Speed rpm	Weight
042	132.3 (8.07)	240 (3500)	206 (3000)	600	2200	42.5 (93.6)
045	142.4 (8.70)					
050	158.5 (9.67)					
052	164.8 (10.00)					
062	196.7 (12.00)					
066	213.3 (13.00)					
072	227.1 (13.86)					

HT6ERM for Single pump

Size	Displacement cm ³ /r 1(in ³ /r)	Max. Intermittent Pressure bar (psi)	Max. Continuous Pressure bar (psi)	Min. Speed rpm	Max. Speed rpm	Weight
042	132.3 (8.07)	240 (3500)	206 (3000)	400	2200	42.5 (93.6)
045	142.4 (8.70)					
050	158.5 (9.67)					
052	164.8 (10.00)					
062	196.7 (12.00)					
066	213.3 (13.00)					
072	227.1 (13.86)					

Thru-Drive Single Vane Pump HT6ER/HT6ERM Series

Ordering Code : Single Pump



1. Model :
- Industrial - HT6ER
 - Mobile 1 Shaft seals (M) - HT6ERM SAE C 2 bolts mounting flange J744

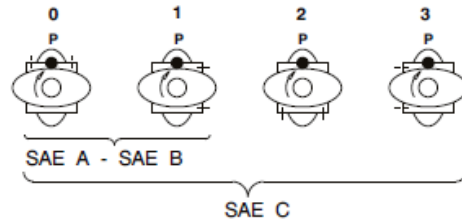
6. Adaptor
- 0 - None
 - A - SAE A
 - B - SAE B
 - C - SAE C

2. Displacement
- Volumetric displacement cm³/rec (in³/rev)
- 042 - 132.3 (8.07)
 - 045 - 142.4 (8.70)
 - 050 - 158.5 (9.67)
 - 052 - 164.8 (10.00)
 - 062 - 196.7 (12.00)
 - 066 - 213.3 (13.00)
 - 072 - 227.1 (13.86)

7. Coupling
- 1 - SAE A
 - 2 - SAE B
 - 3 - SAE BB
 - 4 - SAE C
 - 5 - SAE J498b 16/32 - 11 teeth

3. Type of shaft
- 1 - SAE CC Keyed Shaft
 - 3 - SAE C Splined Shaft
 - 4 - SAE CC Splined Shaft

8. Porting Adapter

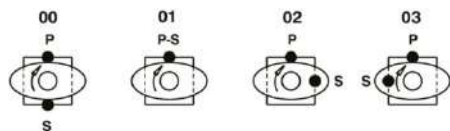


4. Direction of rotation (Viewed from shaft end)
- R - Turn right
 - L - Turn left

9. Design letter

5. Porting combination
- 00 - standard

10. Port Connection (4 bolts SAE flange J518C)
- 00 - UNC Port Connection
 - M0 - Metric Port Connection



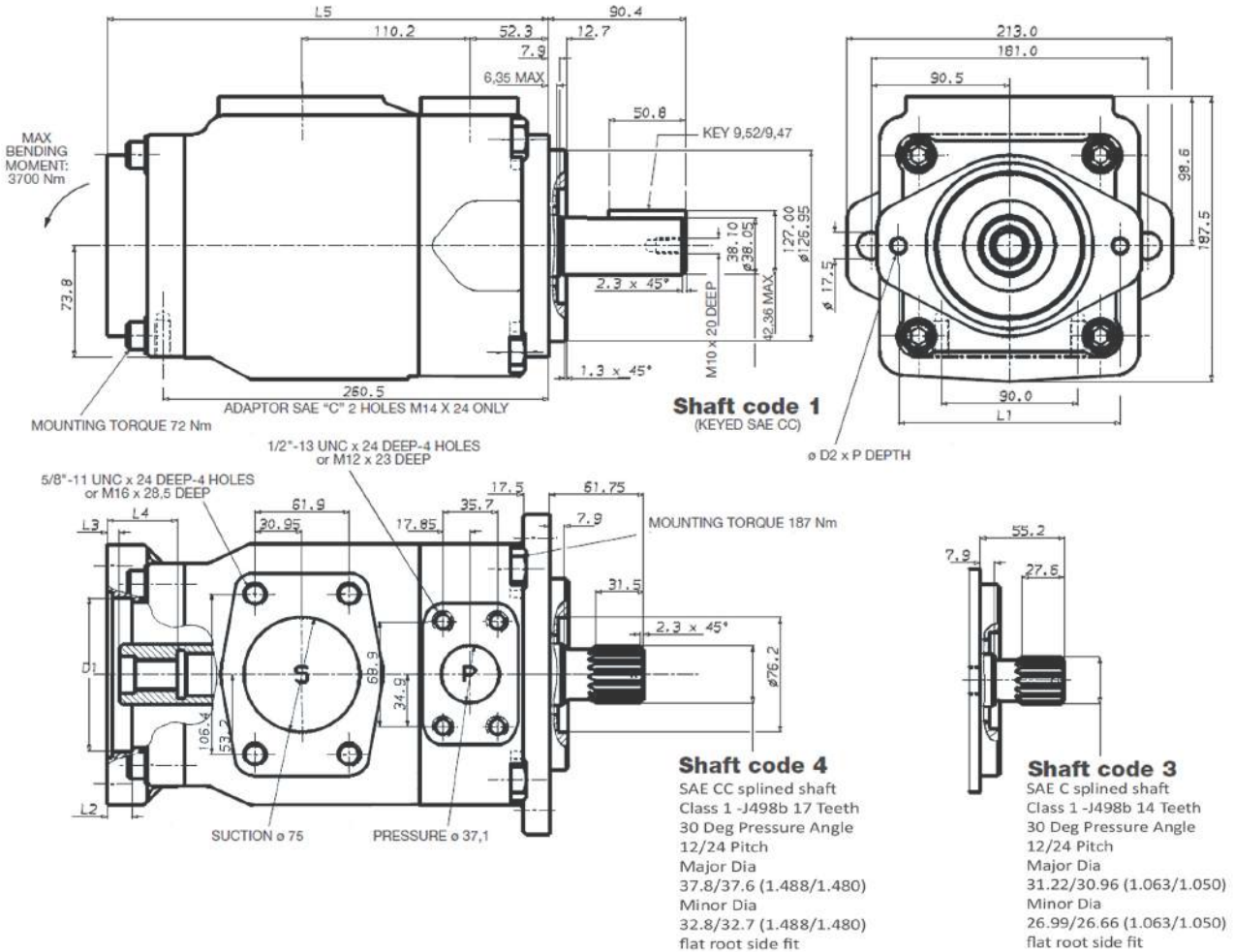
S - Suction port P - Pressure port

11. Modifications

Thru-Drive Single Vane Pump HT6ER/HT6ERM Series

Installation Dimension mm (inch)

HT6ER, HT6ERM



Adapter	D1	D2	P	L1	L2	L3	L4	L5
SAE A	82,65/82,60	M10	24	106.4	11.0	8.0	32.0	272.0
SAE B	101,70/101,65	M12	28	146.0	16.0	8.0	46.0	286.0
SAE C	127,10/127,05	M16	-	181.0	16.0	8.0	56.0	296.0

Adapter	SAE A		SAE B		SAE C
Coupling drive	SAE A	SAE 11 teeth	SAE B	SAE B	SAE C
Number of teeth	9	11	13	13	14
Pitch	16/32	16/32	16/32	16/32	12/24
Pressure angle	30°	30°	30°	30°	30°
Major dia. (min)	15,875	19,05	22,225	22,225	31,750
Minor dia. (min)	12,700	16,017	19,134	19,134	27,589

Thru-Drive Single Vane Pump

HT6ER/HT6ERM Series

Performance Characteristics

HT6ER, HT6ERM

OPERATING CHARACTERISTICS - TYPICAL [115 SUS]

Series	Volumetric Displacement	Speed n [R.P.M]	Flow Q [GPM]			Input power P [HP]		
			p = 0 PSI	p = 2000 PSI	p = 3500 PSI	p = 100 PSI	p = 2000 PSI	p = 3500 PSI
042	8.07 in ³ /rev	1200	41.94	39.39	37.54	5.35	52.28	89.29
		1800	62.92	60.37	58.52	8.09	78.44	133.80
045	8.70 in ³ /rev	1200	45.15	42.60	40.75	4.33	54.72	94.43
		1800	67.72	65.17	63.32	6.87	82.09	141.51
050	9.67 in ³ /rev	1200	50.25	47.70	45.85	4.63	60.68	104.85
		1800	75.38	72.83	70.98	7.32	91.02	157.15
052	10.00 in ³ /rev	1200	52.25	49.70	47.85	4.75	63.01	108.93
		1800	78.37	75.82	73.97	7.49	94.52	163.27
062	12.00 in ³ /rev	1200	62.36	59.81	57.96	5.34	74.81	129.58
		1800	93.54	90.99	89.14	8.38	112.22	194.25
066	13.00 in ³ /rev	1200	67.62	65.07	63.22	5.65	80.95	140.33
		1800	101.44	98.89	97.04	8.84	121.43	210.37
072	13.86 in ³ /rev	1200	72.00	69.45	67.60	5.90	86.05	149.26
		1800	108.00	105.45	103.60	9.22	129.09	223.77

- Port connection can be furnished with metric threads.

HOF Hydraulic represented by

Flowlution Co.,Ltd.

26/48 Moo4 Suksavadh Road, Jomthong, 10150 Bangkok, Thailand
Tel: +662 877 3223 Fax: +662 877 3373 info@flowlution.com

HOF Corindus Co.,Ltd. (Thailand only)

891 Rama3 Road, Bangpongpan, Yannawa, 10120 Bangkok
Tel: 02 284 1100 Fax: 02 683 4414 info@hofcorindus.co.th
www.hofcorindus.co.th